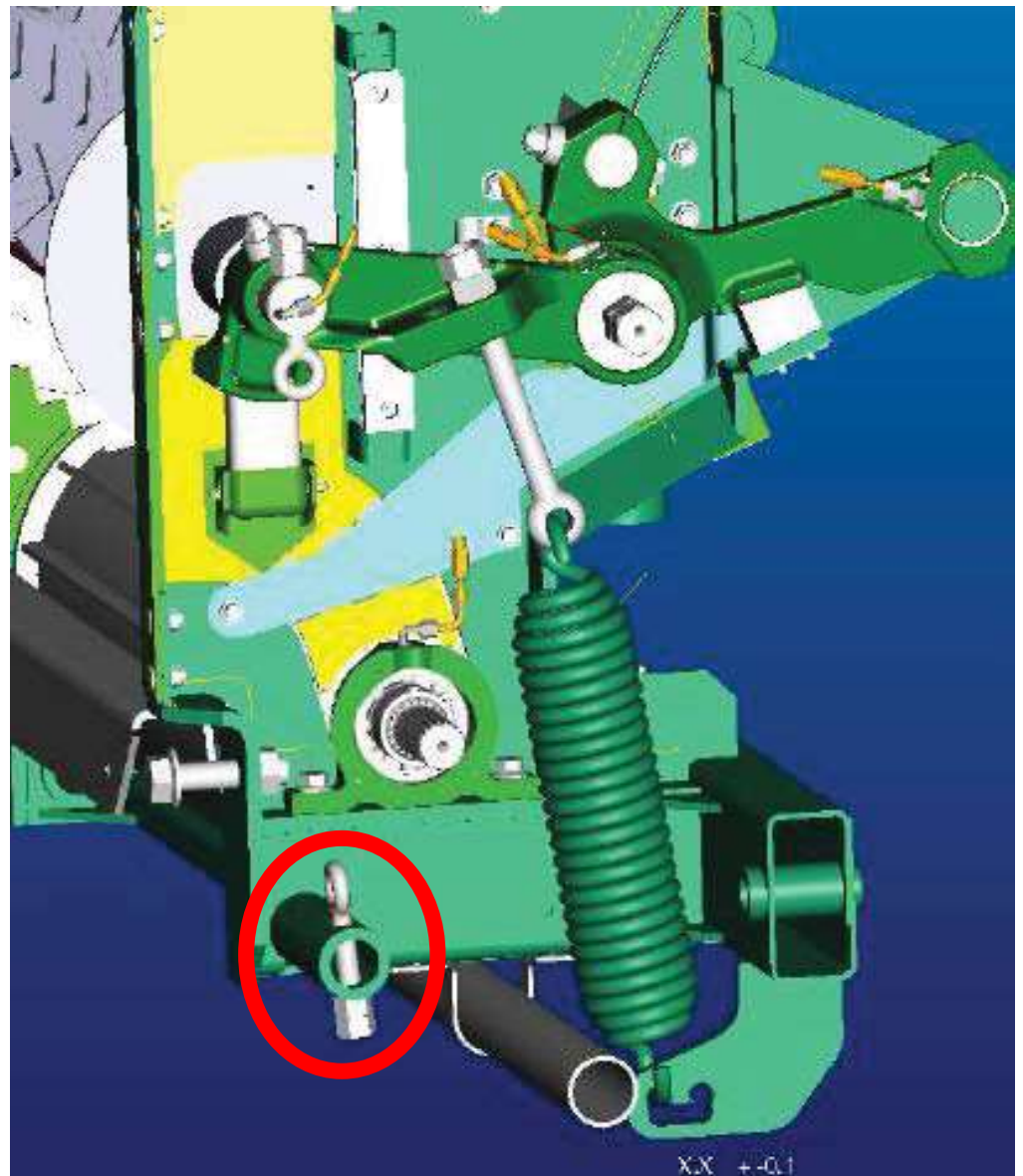


- Lower the upper feedrolls onto downstops
 - Upper front feedroll side panels are installed above the upper front feed roll
- Attach rear spring using new eyebolts
- Install upper front feedroll side panels



JOHN DEERE